

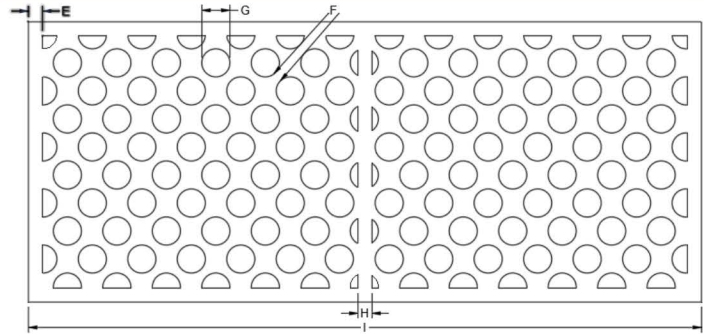
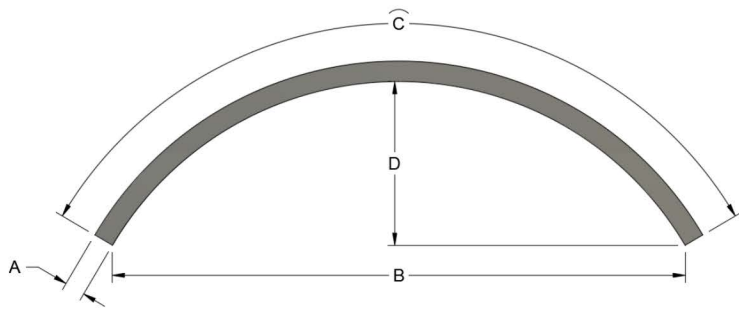
MIN FAB MULCH PARTS



Screen Measuring Form

Contact Name: _____
Business Name: _____
EMail: _____
Phone Number: _____

Machine Brand: _____
Model: _____
Serial Number: _____
Year: _____



A) Screen Thickness: _____ B) Screen Width: _____
C) Arc Length: _____ D) Screen Height: _____
E) Frame Width: _____ F) Webbing Width: _____
G) Hole Size & Geometry: _____
H) Support Location & Width: _____
I) Overall Length: _____
Additional Remarks: _____

Building the parts that keep industry moving!

MinFab
356 Waxler Rd. Keyser WV
304-788-5855
info@mulchparts.com

MULCHPARTS.COM

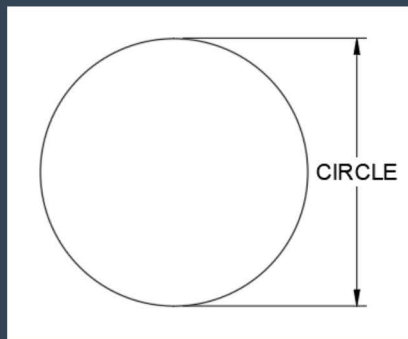
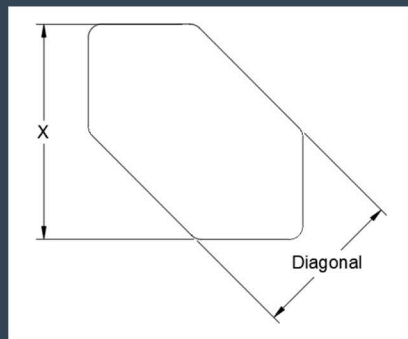
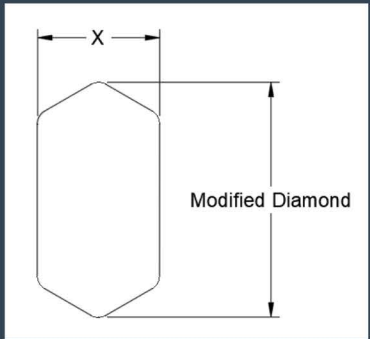
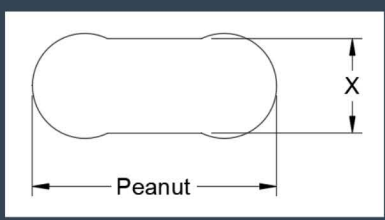
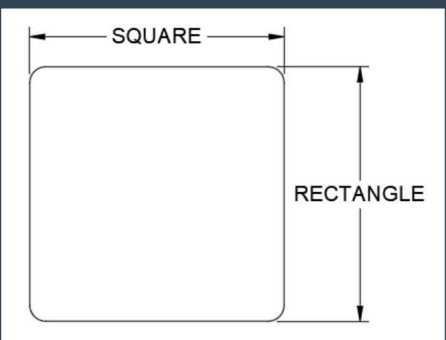
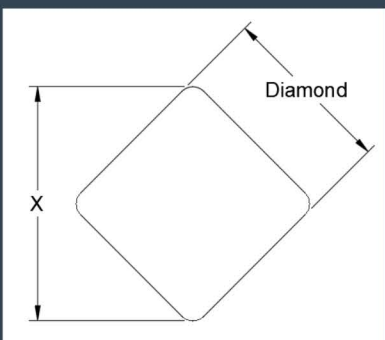
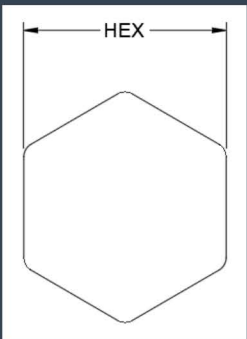
MIN ↔ FAB MULCH ↔ PARTS



Screen Measuring Form

Popular Hole Geometry

Other Hole Geometry Available Upon Special Request



Building the parts that keep industry moving!

MinFab
356 Waxler Rd. Keyser WV
304-788-5855
info@mulchparts.com

MULCHPARTS.COM